

PRODUCT INFORMATION PACKET



Model No: C6K34DK23A

Catalog No: E116769.00

E116769.00..1HP..3450RPM.56C.DP.115/230V.1PH.60HZ.CONT.40C.1.25SF.RIGID C
FACE.C6K34DK23.....GENERAL PURPOSE.NONE.....

Open Drip Proof (ODP)



Regal and Leeson are trademarks of Regal Beloit Corporation or one of its affiliated companies.

©2018 Regal Beloit Corporation, All Rights Reserved. MC017097E



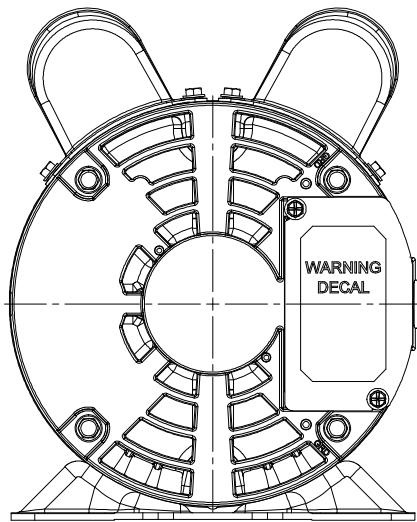


Nameplate Specifications

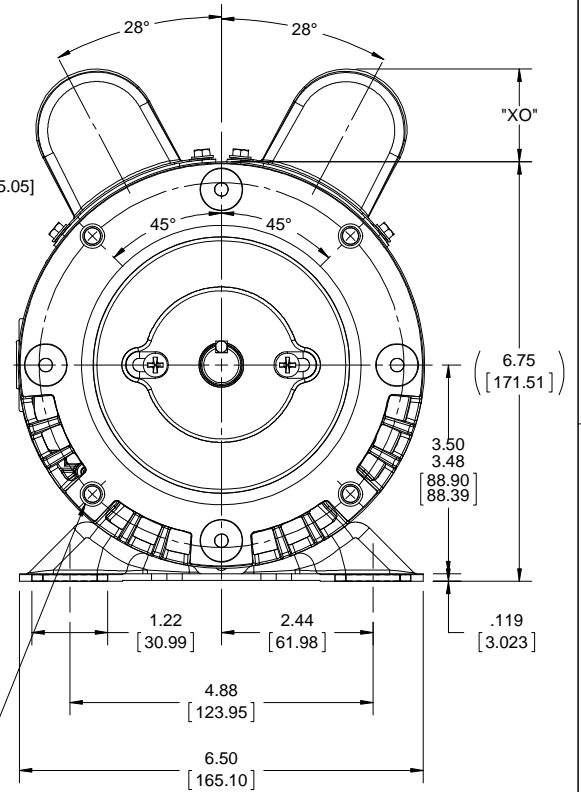
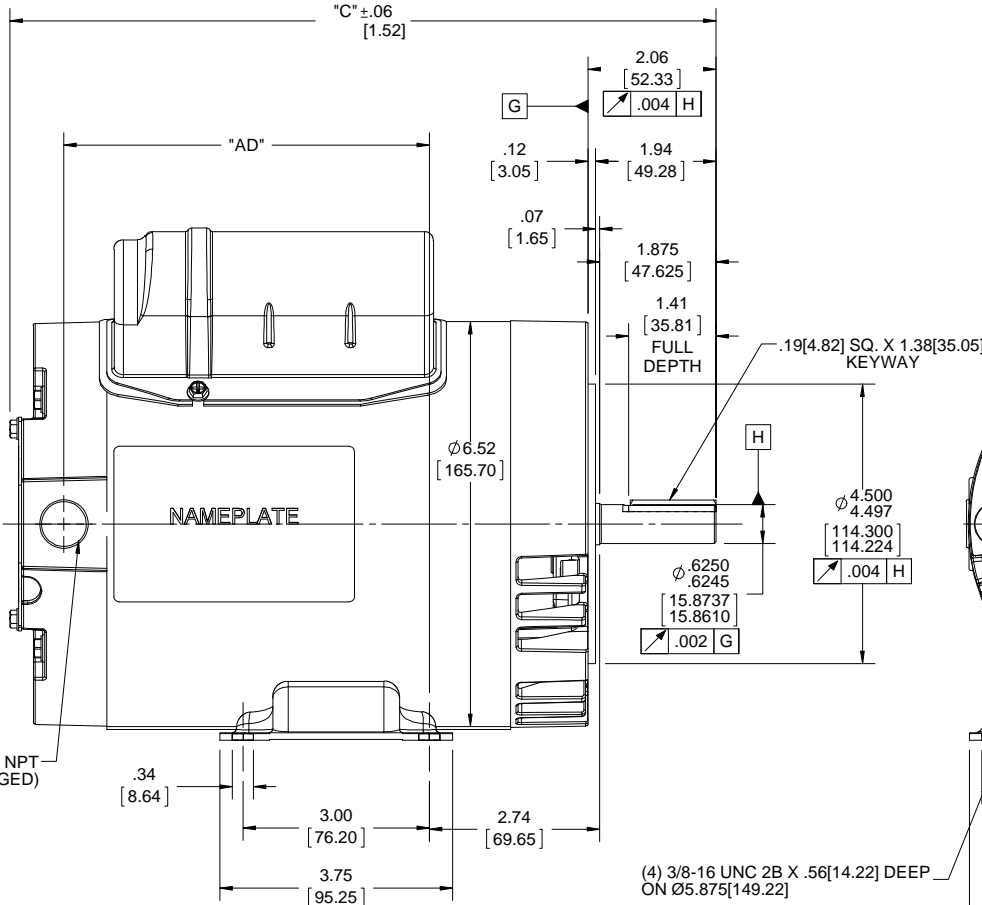
Output HP	1 Hp	Output KW	0.75 kW
Frequency	60 Hz	Voltage	115/230 V
Current	7.8/3.9 A	Speed	3450 rpm
Service Factor	1.25	Phase	1
Efficiency	80.4 %	Duty	Continuous
Insulation Class	F	Design Code	L
KVA Code	J	Frame	56C
Enclosure	Drip Proof	Overload Protector	No
Ambient Temperature	40 °C	Drive End Bearing Size	6203
Opp Drive End Bearing Size	6203	UL	Recognized
CSA	Y	CE	Y
IP Code	22		

Technical Specifications

Electrical Type	Capacitor Start Capacitor Run	Starting Method	Across The Line
Poles	2	Rotation	Selective Counterclockwise
Mounting	Rigid base	Motor Orientation	HORIZONTAL
Drive End Bearing	BALL	Opp Drive End Bearing	BALL
Frame Material	Rolled Steel	Shaft Type	NEMA 56
Overall Length	11.37 in	Frame Length	6.50 in
Shaft Diameter	0.625 in	Shaft Extension	1.88 in
Assembly/Box Mounting	F1 ONLY		
Outline Drawing	607-0342-650B	Connection Diagram	005054.01



1/2-14 NPT
(PLUGGED)



DASH NO.	"C"	"AD"	CAP. DASH	"XO"
650	11.37[288.79]	5.88[149.35]	A	1.15[29.21]
			B	1.49[37.84]
			C	1.82[46.22]

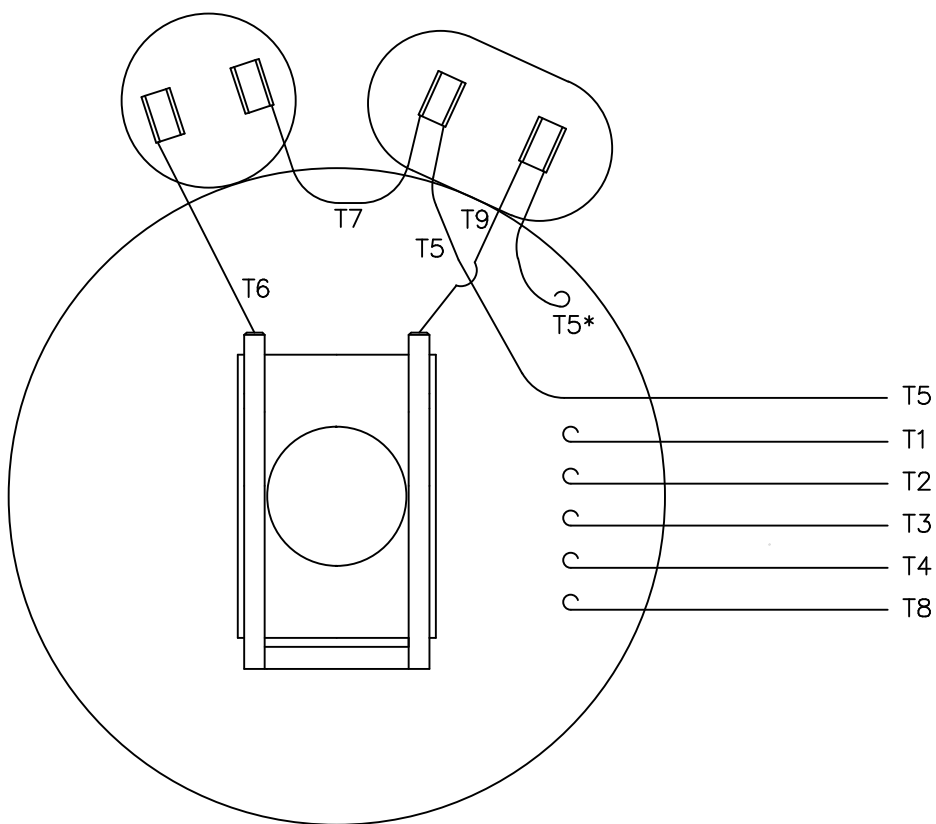
DRAWING REVISION	REVISION BY	DATE
A		
ECO-0136357	APPROVED BY	DATE
ECO DESCRIPTION		
OUTLINE CONVERSION PROJECT		
<small>COPYRIGHT REGAL BELOIT AMERICA, INC. ALL RIGHTS RESERVED. PROPRIETARY AND CONFIDENTIAL INFORMATION - THIS DOCUMENT IS THE PROPERTY OF REGAL BELOIT AMERICA, INC. ("OWNER") AND CONTAINS OWNER'S PROPRIETARY INFORMATION. ANY PERSON, CORPORATION OR OTHER FIRM RECEIVING IT IS DEEMED, BY RECEIVING IT, TO AGREE THAT IT, AND/OR ANY PART OF IT, SHALL NOT BE DISCLOSED TO ANY PERSON, CORPORATION OR OTHER ENTITY, DUPLICATED, AND/OR USED, EXCEPT AS EXPRESSLY APPROVED IN WRITING IN ADVANCE BY OWNER. THIS DOCUMENT SHALL BE RETURNED TO OWNER UPON REQUEST. IT MAY BE SUBJECT TO CERTAIN RESTRICTIONS UNDER APPLICABLE EXPORT CONTROL LAWS AND REGULATIONS.</small>		

TOLERANCES UNLESS OTHERWISE SPECIFIED:			
DEC.	INCH	mm	ANGLE
.X	±.01	[±2.5]	±0.5°
.XX	±0.03	[±0.76]	
.XXX	±0.005	[±0.127]	
.XXXX	±0.0005	[±0.0127]	
REMOVE BURRS & BREAK SHARP			
EDGES: .003/.015 [0.076/.381] X 45°			
CORNER FILLETS: R.02 [51]			
MACHINED SURFACES: 125/3.2			
mm SHOWN IN [BRACKETS]			

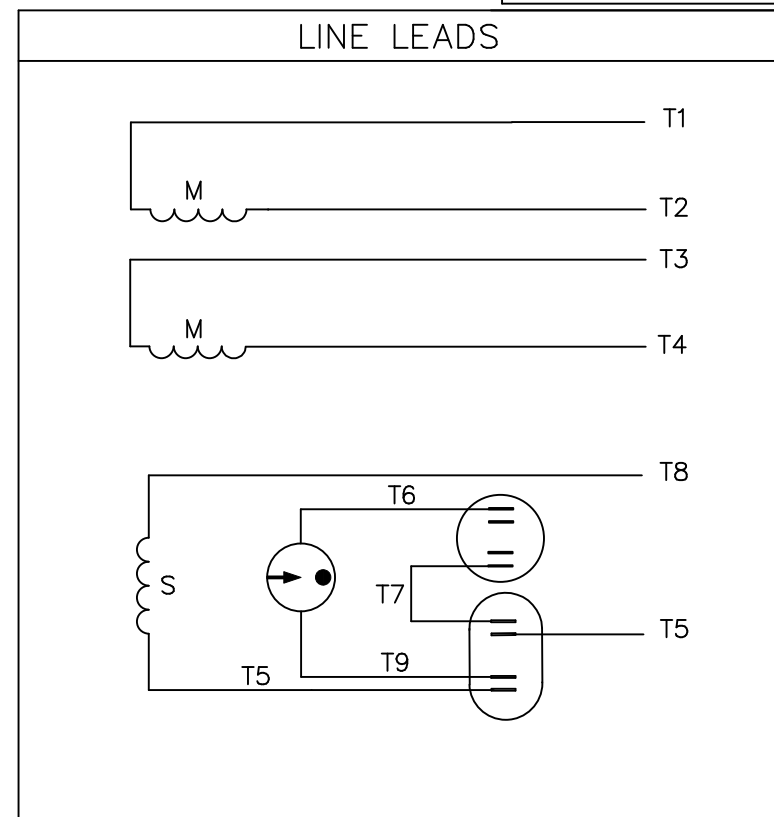
DRAWN BY	DATE
A. KEETHA	02/06/2018
APPROVED BY	DATE
REFERENCE	THIRD ANGLE PROJECTION
607-0202	

REGAL™ Regal Beloit America, Inc.	
DESCRIPTION	PROCESS/FINISH
OUTLINE DRIP PROOF-RIGID 56C FRAME	
MATERIAL	DRAWING NUMBER
	607-0342
SIZE	SHEET
B	1 OF 1


VIEW FROM OUTSIDE OF MOTOR AT SWITCH END.



* THIS LEAD MAY BE WHITE



	ROTATION FACING LEAD END	L1	L2	JOIN
HIGH VOLT	C.C.W.	T1	T4 T5	T2,T3 T8
	C.W.	T1	T4 T8	T2,T3 T5
LOW VOLT	C.C.W.	T1 T3,T8	T2,T4 T5	
	C.W.	T1,T3 T5	T2,T4 T8	

		TOLERANCES UNLESS SPECIFIED		 ELECTRIC MOTORS GEARMOTORS AND DRIVES		DRAWN JRW 09/27/74			
		DEC.	INCHES			CHK	TEM		
		.X	±.1			APPD	10/11/74		
11	ALTERNATE T5 LEAD MARKING WAS RED	RLW	8/6/02	.XX	±.01	TITLE	SCALE 1=1		
10	ADDED ALTERNATE T5 LEAD MARKING	RLW	6/5/02	KH	.XXX ±.005	EXT. WIRING DIAGRAM TYPE "K" W/O PROTECTOR	REF A-005053		
09	REDRAWN TO CAD	DBT	05/28/97		.XXXX ±.0005	MAT'L. DECAL-004012	FMF W-K6343		
NO.	REVISION	BY & DATE	CHK	ANG	±1/2'	FINISH	PREV		
THIS DRAWING IN DESIGN AND DETAIL IS OUR PROPERTY AND MUST NOT BE USED EXCEPT IN CONNECTION WITH OUR WORK ALL RIGHTS OF DESIGN AND INVENTION ARE RESERVED THIS IS AN ELECTRONICALLY GENERATED DOCUMENT - DO NOT SCALE THIS PRINT				RFP	CAD FILE	00505401	SIZE	DRAWING NO.	REV.
				DIST	BRF-NLV		A	005054-01	11



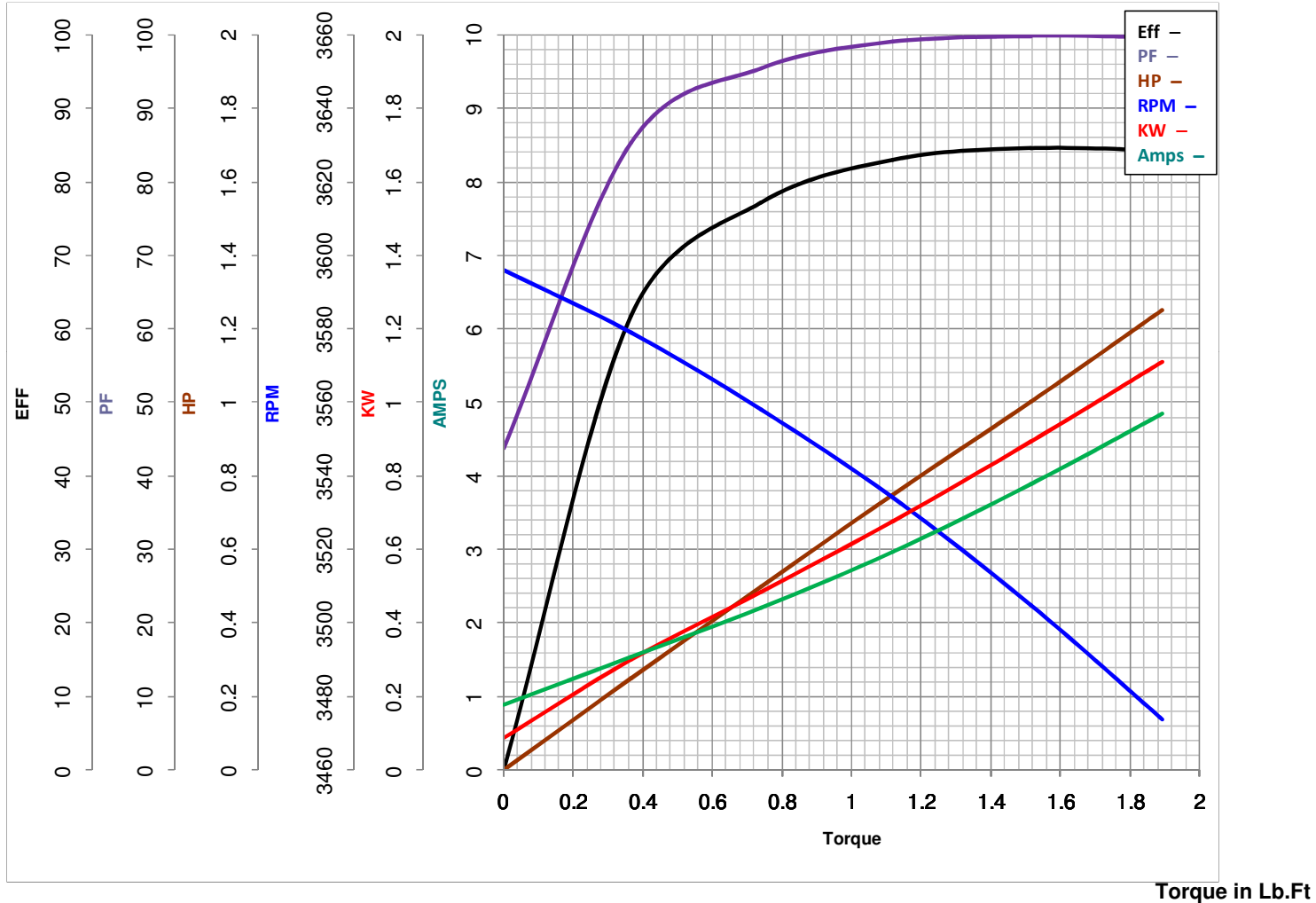
LEESON ELECTRIC CORPORATION
 TYPICAL PERFORMANCE CURVE for AC MOTOR

Model No E116769.00

Curve at 230 Volts HP 1.00 PHASE 1
60 HZ
1 HP VOLTS 115/230

Catalog No E116769.00

HZ 60 RPM 3450



FL TORQUE	<u>1.514</u> Lb.Ft	FL AMPS	<u>7.8/3.9</u>
BD TORQUE	<u>3.4</u> Lb.Ft	PU TORQUE	<u>3.0</u> Lb.Ft
LR TORQUE	<u>4.998</u> Lb.Ft	LR AMPS	<u>37.1</u>
WINDING	K632184-3	Date	<u>4/18/2018</u>